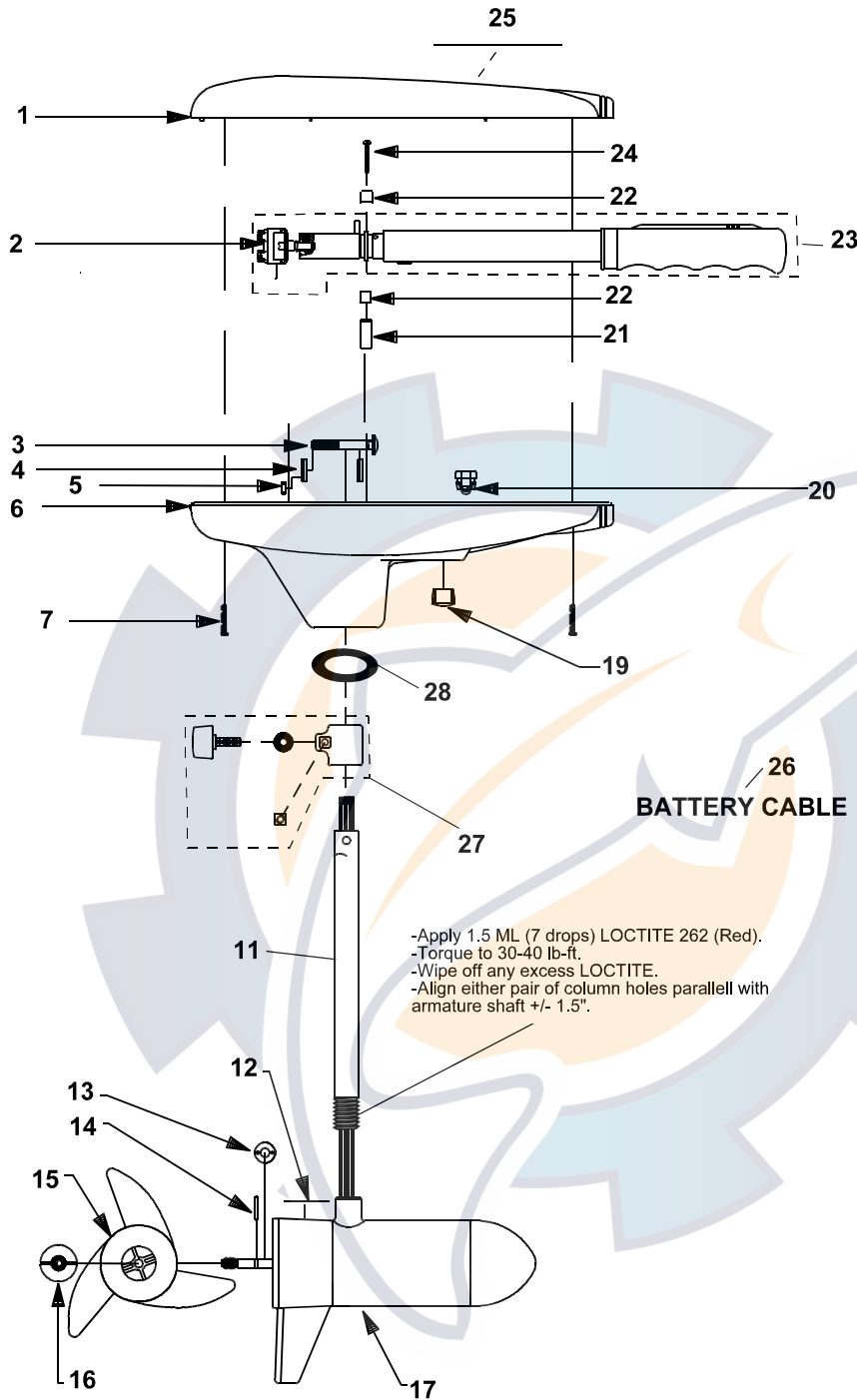


Model:

536



SPECIFICATIONS:

Year of Intro	2000
Thrust	36LBS
Volts	12VDC
Amp Draw	0 to 48 amps
Mount	15 Bow
Speeds	5 Fwd/2 Rev

PARTS ORDERING & TECH ASSISTANCE

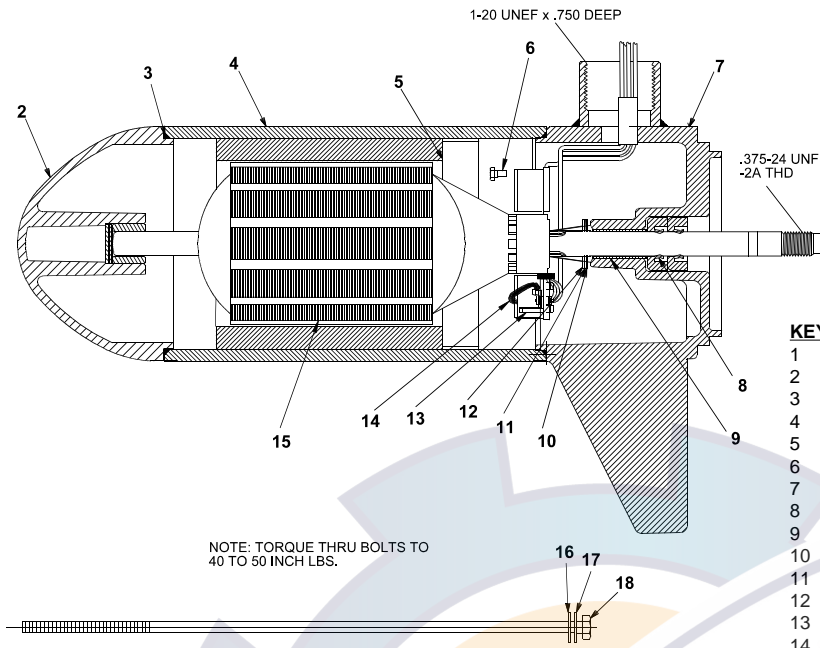
MotorGuide Consumer Relations
 Phone 918-831-6989
 Fax 800-982-8093

Returned Goods must be accompanied with a Returned Goods Authorization. Contact MotorGuide Consumer Relations to obtain RGA.

-Apply 1.5 ML (7 drops) LOCTITE 262 (Red).
 -Torque to 30-40 lb-ft.
 -Wipe off any excess LOCTITE.
 -Align either pair of column holes parallel with armature shaft +/- 1.5".

KEY	DESCRIPTION	PART #	KEY	DESCRIPTION	PART #
1	COVER WHITE	AT053-17	15	PROP	AF124-05
	COVER BLACK	AT053-18	16	PROP NUT	AR099-01
2	ROTARY SWITCH	KT150-02	17	MOTOR	PF397-01
3	BOLT	TT134-01	18	DEPTH ADJUSTMENT COLLAR	AR051-01
4	CURVED WASHER	TT171-04	19	1/2" HOLE PLUG	FP021-03
5	NYLON LOCK NUT	XT098-02	20	GROMMET	GR019-03
6	T/H BASE WHITE	AR004-13	21	WIRE BRACKET	AT155-04
	T/H BASE BLACK	AR004-14	22	RETAINER CLAMP	AR036-01
7	SCREW #8 X 1"	LF141-04	23	5 SPEED HANDLE ASY 96-97	BT372-08
8			24	8 X 1-3/8 SCREW	AR133-01
9			25	NOMENCLATURE	KT056-26
10			26	BATTERY CABLE	BT328-03
11	42" SS H/O COLUMN	FR049-15	27	DEPTH COLLAR ASY	AR158-01
	50" SS H/O COLUMN	FR049-13	28	COLUMN SEAL	AT079-01
12	MARINE LOWER UNIT DECAL	ET060-04			
13	MONOFILAMENT WASHER	AR175-01			
14	PROP DRIVE PIN	BR102-01			

Model:
536



KEY	QTY	DESCRIPTION	PART NO.
1	X	MOTOR	PF397-01
2	1	NOSE CAP	JF3212-01
3	2	O RING SEAL	MR217-01
4	1	HOUSING ASY	PF3210-01
5	1	RETAINER	JF233-01
6	2	BRUSH CARD SCREW	MR228-01
7	1	COMM CAP	ET3205-01
8	2	SHAFT SEAL	MR223-01
9	1	BEARING	MR206-01
10	1	NYLATRON WASHER	MR226-01
11	1	WASHER	MR227-01
12	1	E RING	MR219-02
13	2	BRUSH SPRINGS	MR214-02
14	1	BRUSH ASY LESS SPRING	DF3201-01
15	1	ARMATURE	PF3207-01
16	4	STATIC SEAL	MR222-01
17	4	THRU BOLT WASHER	MR216-01
18	2	THRU BOLT	MR218-14

WIRING

